

Track Loader (Tier3 Engine Machine)

TL220

- Spec Sheet -

TAKEUCHI



Machine Information

Machine Name:
TL220
Cabin Weight: kg
2855
Canopy Weight: kg
2795

Bucket

Bucket Capacity: m³
0.298

Engine

Engine Model:
Yanmar 4TNV84T
Cylinders:
4
Rated Power: kW
38.2 / 2,800
Maximum Torque: Nm
149.4 - 162.8
Displacement: mL
1995
Engine Coolant: L
11
Engine Oil: L
7.4
Fuel Tank: L
57
Electric System:
12V / 40A

Performance

Tipping Load: kg
1610
Operating Load (SAE J818): kg
565
Breaking Force Bucket Cylinders: kN
21.4
Breakout Force Lift Arm Cylinders: kN
22.4
SAFETY:
ROPS / FOPS
Sound-Power Level
103
Sound-Pressure Level * Cabin
85

Cycle Time

Raise - Full Load
3.7
Lower - No Load
2.7
Dump - Full Load
2.6
Curl - Full Load
1.9

Hydraulic System

Hydraulic Tank:
29
Hydraulic System:
45
Auxiliary Hydraulic Flow: L/min
57
HIGH FLOW (OPTION): L/min
N/A
System Operating Pressure: MPa
20.6

Undercarriage

Traction Motor Type:
Piston Motor
Traction Force:
14.8 kN x 2
Track Rollers:
4
Ground Pressure (CAB):
32.8
Ground Pressure (Canopy):
32.1
Traction Speed: km/h
6.5 / 9.3
SAFETY
ROPS / FOPS

Track Loader (Tier3 Engine Machine)

TL230

- Spec Sheet -

TAKEUCHI



Machine Information

Machine Name:
TL230
Cabin Weight: kg
3800
Canopy Weight: kg
3710

Bucket

Bucket Capacity: m³
0.351

Engine

Engine Model:
Yanmar 4TNV98
Cylinders:
4
Rated Power: kW
50.1 / 2,500
Maximum Torque: Nm
222.7 - 242.5
Displacement: mL
3319
Engine Coolant: L
16.5
Engine Oil: L
10.2
Fuel Tank: L
75
Electric System:
12V / 40A

Performance

Tipping Load: kg
2100
Operating Load (SAE J818): kg
735
Breaking Force Bucket Cylinders: kN
29.9
Breakout Force Lift Arm Cylinders: kN
29.8
SAFETY:
ROPS / FOPS
Sound-Power Level
102
Sound-Pressure Level * Cabin
85

Cycle Time

Raise - Full Load
4
Lower - No Load
2.6
Dump - Full Load
2.6
Curl - Full Load
1.9

Hydraulic System

Hydraulic Tank:
39
Hydraulic System:
58
Auxiliary Hydraulic Flow: L/min
69
HIGH FLOW (OPTION): L/min
126
System Operating Pressure: MPa
20.6

Undercarriage

Traction Motor Type:
Piston Motor
Traction Force:
20.25 kN x 2
Track Rollers:
5
Ground Pressure (CAB):
36.6
Ground Pressure (Canopy):
35.7
Traction Speed: km/h
7.3 / 10.9
SAFETY
ROPS / FOPS

Track Loader (Tier3 Engine Machine)

TL240

- Spec Sheet -

TAKEUCHI



Machine Information

Machine Name:

TL240

Cabin Weight: kg

4595

Canopy Weight: kg

4505

Bucket

Bucket Capacity: m³

0.458

Engine

Engine Model:

Yanmar 4TNV98T

Cylinders:

4

Rated Power: kW

61.9 / 2,500 min⁻¹

Maximum Torque: Nm

272.6 - 296.6

Displacement: mL

3319

Engine Coolant: L

16.5

Engine Oil: L

10.2

Fuel Tank: L

90

Electric System:

12V / 40A

Performance

Tipping Load: kg

2700

Operating Load (SAE J818): kg

945

Breaking Force Bucket Cylinders: kN

32.9

Breakout Force Lift Arm Cylinders: kN

33

SAFETY:

ROPS / FOPS

Sound-Power Level

104

Sound-Pressure Level * Cabin

84

Cycle Time

Raise - Full Load

4.4

Lower - No Load

2.9

Dump - Full Load

3.1

Curl - Full Load

2.1

Hydraulic System

Hydraulic Tank:

49

Hydraulic System:

75

Auxiliary Hydraulic Flow: L/min

75

HIGH FLOW (OPTION): L/min

138

System Operating Pressure: MPa

20.6

Undercarriage

Traction Motor Type:

Piston Motor

Traction Force:

24.6 kN x 2

Track Rollers:

5

Ground Pressure (CAB):

29.4

Ground Pressure (Canopy):

28.8

Traction Speed: km/h

7.6 / 11.6

SAFETY

ROPS / FOPS

Track Loader (Tier3 Engine Machine)

TL250

- Spec Sheet -

TAKEUCHI



Machine Information

Machine Name:
TL250
Cabin Weight: kg
5300
Canopy Weight: kg
5195

Bucket

Bucket Capacity: m³
0.579

Engine

Engine Model:
KUBOTA V3800DI-T
Cylinders:
4
Rated Power: kW
68.3 / 2,600 min⁻¹
Maximum Torque: Nm
313.7
Displacement: mL
3769
Engine Coolant: L
16.5
Engine Oil: L
13.2
Fuel Tank: L
108
Electric System:
12V / 80A

Performance

Tipping Load: kg
3200
Operating Load (SAE J818): kg
1120
Breaking Force Bucket Cylinders: kN
38.5
Breakout Force Lift Arm Cylinders: kN
38
SAFETY:
ROPS / FOPS
Sound-Power Level
104
Sound-Pressure Level * Cabin
85

Cycle Time

Raise - Full Load
4.6
Lower - No Load
2.8
Dump - Full Load
3.1
Curl - Full Load
2.3

Hydraulic System

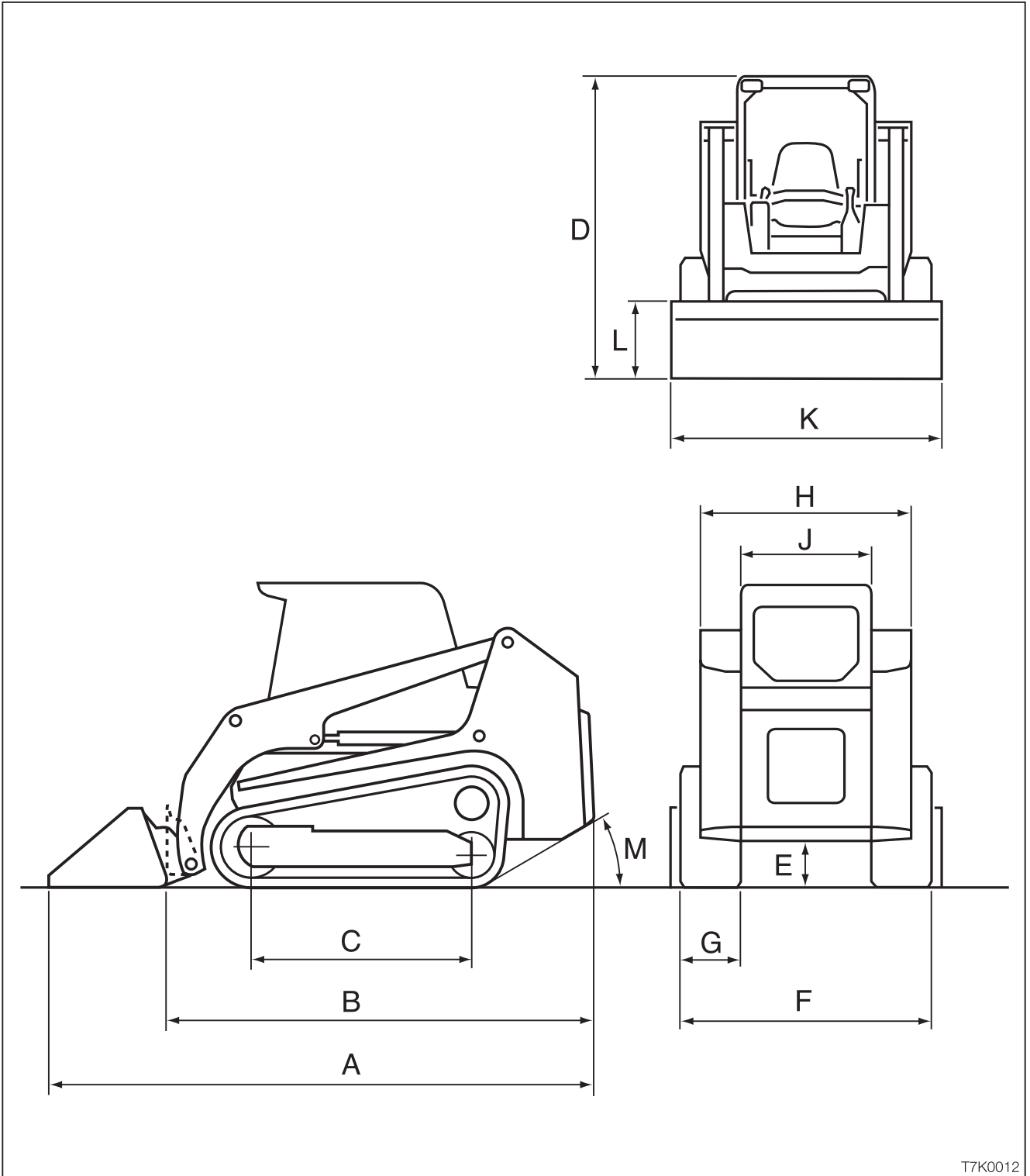
Hydraulic Tank:
60
Hydraulic System:
95
Auxiliary Hydraulic Flow: L/min
88
HIGH FLOW (OPTION): L/min
152
System Operating Pressure: MPa
20.6

Undercarriage

Traction Motor Type:
Piston Motor
Traction Force:
30.6 kN x 2
Track Rollers:
6
Ground Pressure (CAB):
32
Ground Pressure (Canopy):
31.3
Traction Speed: km/h
7.8 / 12.0
SAFETY
ROPS / FOPS



SPECIFICATIONS
Machine Dimensions



T7K0012



SPECIFICATIONS

Machine Dimensions

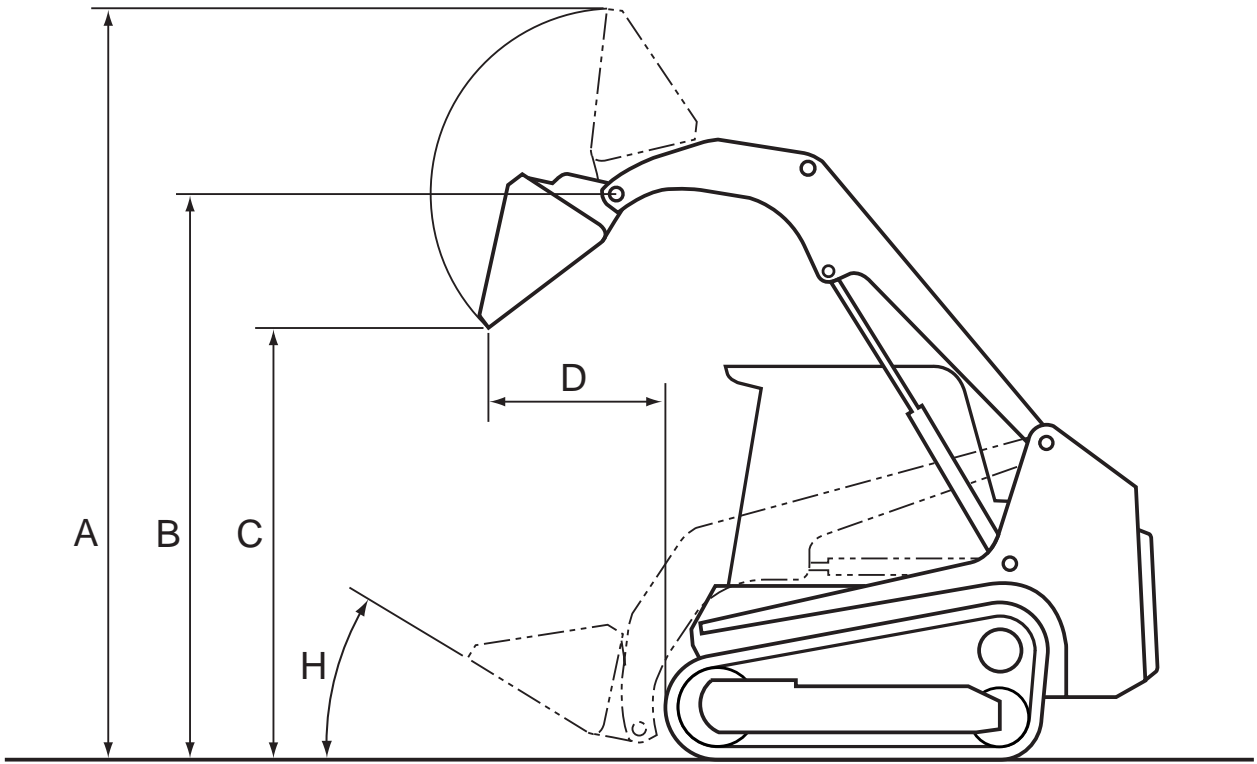
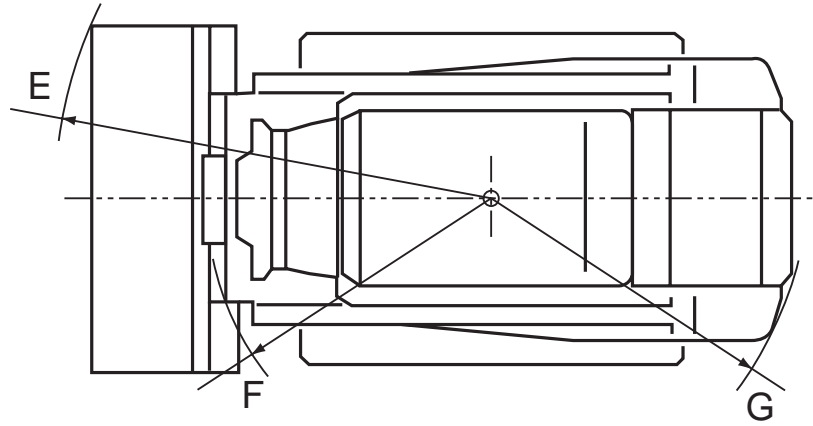
Units: mm (inches)

	TL220	TL230	TL240	TL250
	Standard Bucket			
	Rubber Crawlers			
A	3220 (126.9)	3430 (135.1)	3740 (147.2)	3985 (156.9)
B	2580 (101.7)	2740 (107.8)	2980 (117.3)	3135 (123.5)
C	1240 (48.9)	1390 (54.7)	1495 (58.9)	1595 (62.9)
D	1970 (77.6)	2235 (88.0) / 2130 (83.9)*	2270 (89.4)	2320 (91.3)
E	250 (9.8)	310 (12.1)	325 (12.8)	345 (13.5)
F	1470 (57.9)	1580 (62.2)	1770 (69.7)	1860 (73.2)
G	300 (11.8)	320 (12.6)	450 (17.7)]
H	1360 (53.5)	1430 (56.3)	1500 (59.1)	1570 (61.8)
J	925 (36.4)	985 (38.7) / 980 (38.6)*	985 (38.7)]
K	1600 (63)	1675 (66.0)	1880 (74.0)	1960 (77.2)
L	495 (19.5)	510 (20.0)	535 (21.1)	580 (22.8)
M	30°]]]

* : USA Canopy



SPECIFICATIONS
Operating Range



T7K0021



SPECIFICATIONS

Operating Range

Units: mm (inches)

	TL220	TL230	TL240	TL250
	Standard Bucket			
	Rubber Crawlers			
A	3725 (146.7)	3905 (153.8)	4080 (160.7)	4245 (167.2)
B	2905 (114.4)	3030 (119.3)	3120 (122.9)	3205 (126.1)
C	2275 (89.5)	2370 (93.4)	2405 (94.8)	2430 (95.7)
D	590 (23.1)	730 (28.8)	875 (34.4)	985 (38.8)
E	1995 (78.6)	2080 (82.0)	2295 (90.4)	2435 (95.8)
F	1320 (52)	1375 (54.1)	1500 (59.1)	1560 (61.4)
G	1470 (57.9)	1590 (62.7)	1670 (65.7)	1755 (69.1)
H	30°]	31°]